



NV065A

Version Number	Reverse Date	Remark
1.0	2009.10.18	
1.1	2010.3.12	

1	3
2	3
3	3
4	4
5	4
5.1	4
5.2	4
6	5
6.1	5
6.2	6
7	6
7.1	6
7.2 MCU	6
8	8
8.1	8
8.2 MCU	8
8.3	9
9	9
10	12
11	12

1

NV065A _____OTP
 NV065A
 NV065A 1.8V~5.5V
 NV065A PWM 0.5w LVR
 MASK +-1% NV065A OTP
 MASK OTP MASK
 NV065A
 NV065A MCU
 NV065A DIP8 DIP14 SOP8
 NV065A

2

-
-
-
-
-
-
-
-
-
-
-
-
-
-
-

3

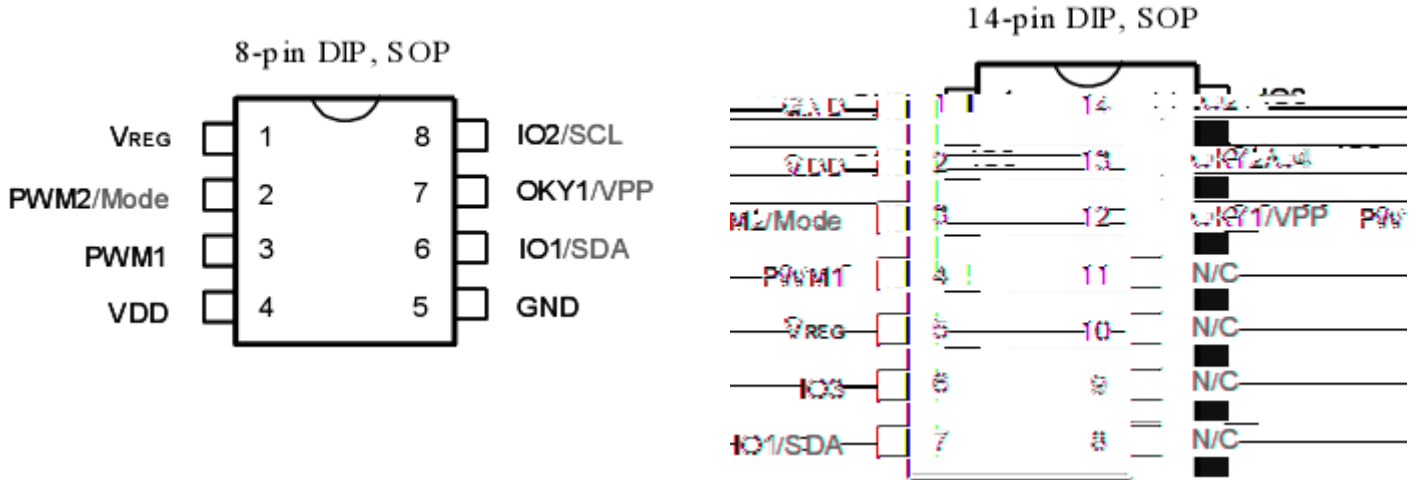
NV010A	1.8V~5.5V	2uA	10	6K	6K~16K	PWM	SOP/DIP
NV035A	1.8V~5.5V	2uA	32	6K	6K~16K	PWM	SOP/DIP
NV065A	1.8V~5.5V	2uA	65	6K	6K~16K	PWM	SOP/DIP
NV087A	1.8V~5.5V	2uA	87	6K	6K~16K	PWM	SOP/DIP
NV115A	1.8V~5.5V	2uA	112	6K	6K~16K	PWM	DIP

- 1. 6K 8K
- 2. NV115A SOP8

4



5
5.1



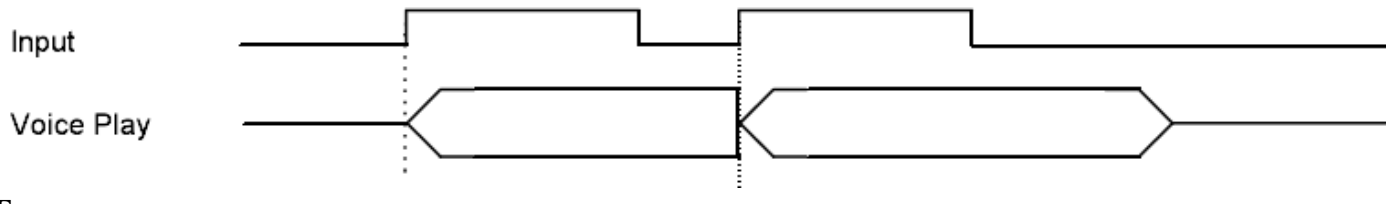
5.2
DIP8,SOP8

DIP14,SOP14

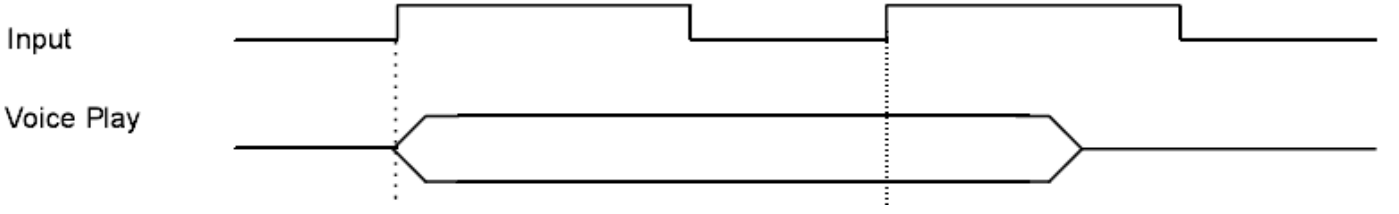
--

6.2

Symbol	Rating	unit
VDD~GND	-0.5~+7.0	V
Vin	GND-0.3<Vin<VDD+0.3	V
Vout	GND<Vout<VDD	V
Top(Dies)	0~70	C
Top(operating)	-40~80	



E



7.2 MCU

MCU

MCU

RST

DATA

40us

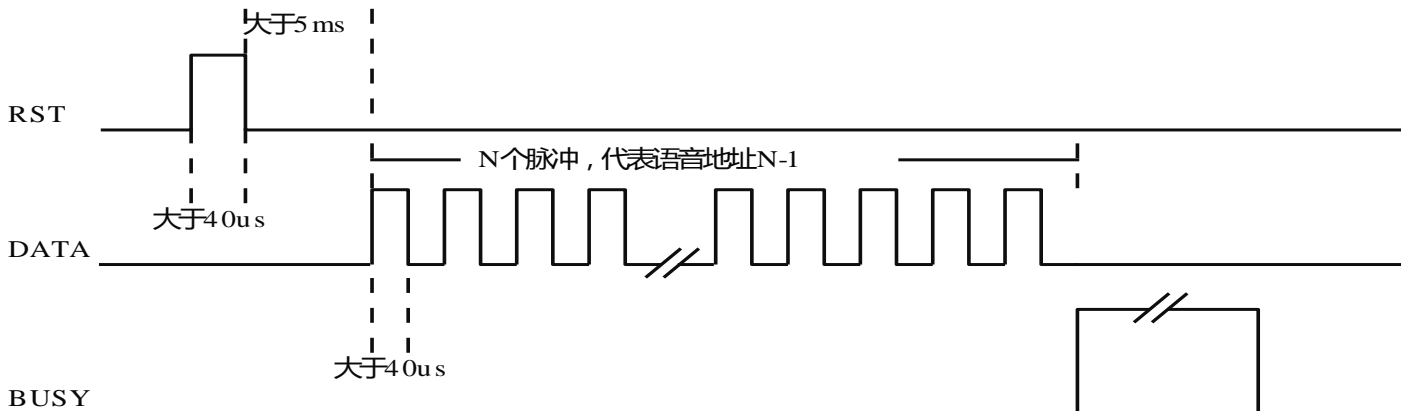
7.2.1

64	

32 8 32 32 14 DATA 32

32 2 DATA IO1,OKY1,OKY2

7.2.3

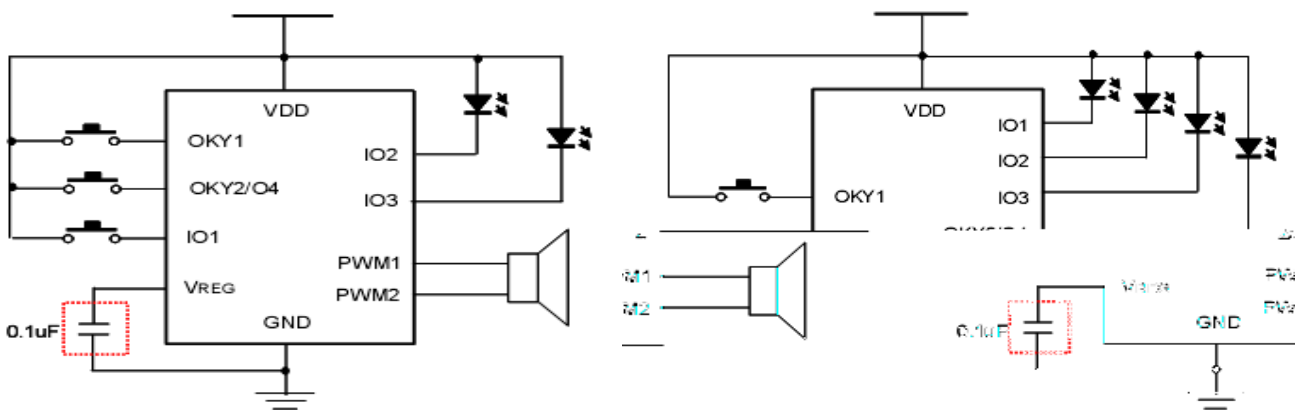


```

MCU PIC16F57      4MHz)
rst                sda                addr.
rst=1;
sda=0;              /*          */
wait(5);           /* 100us */
rst=0;
wait(200);         /* 5ms   */
for(i=0;i<addr;i++)
{
  sda=1;           //
  wait(5);         // 100us
  sda=0;           //
  wait(5);         // 100us
}
    
```

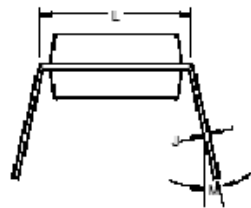
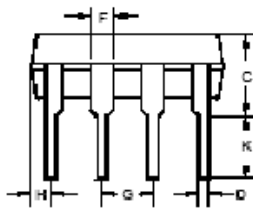
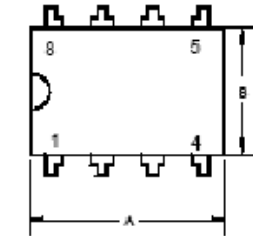
8

8.1



8.2 MCU

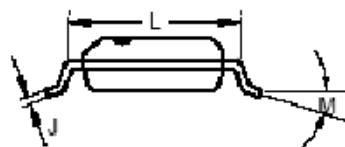
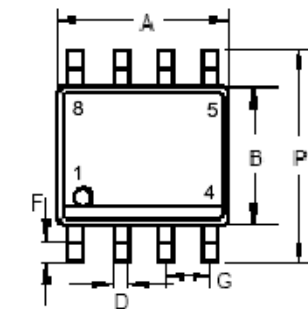
8-Pin Plastic DIP (300 mil)



	INCHES			MILLIMETERS		
	MIN	TYP	MAX	MIN	TYP	MAX
A	0.355	0.365	0.400	9.02	9.27	10.16
B	0.240	0.250	0.280	6.10	6.35	7.11
C	-	-	0.210	-	-	5.33
D	-	0.018	-	-	0.46	-
F	-	0.060	-	-	1.52	-
G	-	0.100	-	-	2.54	-
H	0.050	-	0.090	1.27	-	2.29
J	0.008	-	0.015	0.20	-	0.38
K	0.115	0.130	0.150	2.92	3.30	3.81
L	0.300 BSC.			7.62 BSC.		
M	-	7°	15°	-	7°	15°

Note: For 8-pin Plastic package, 60 units per tube

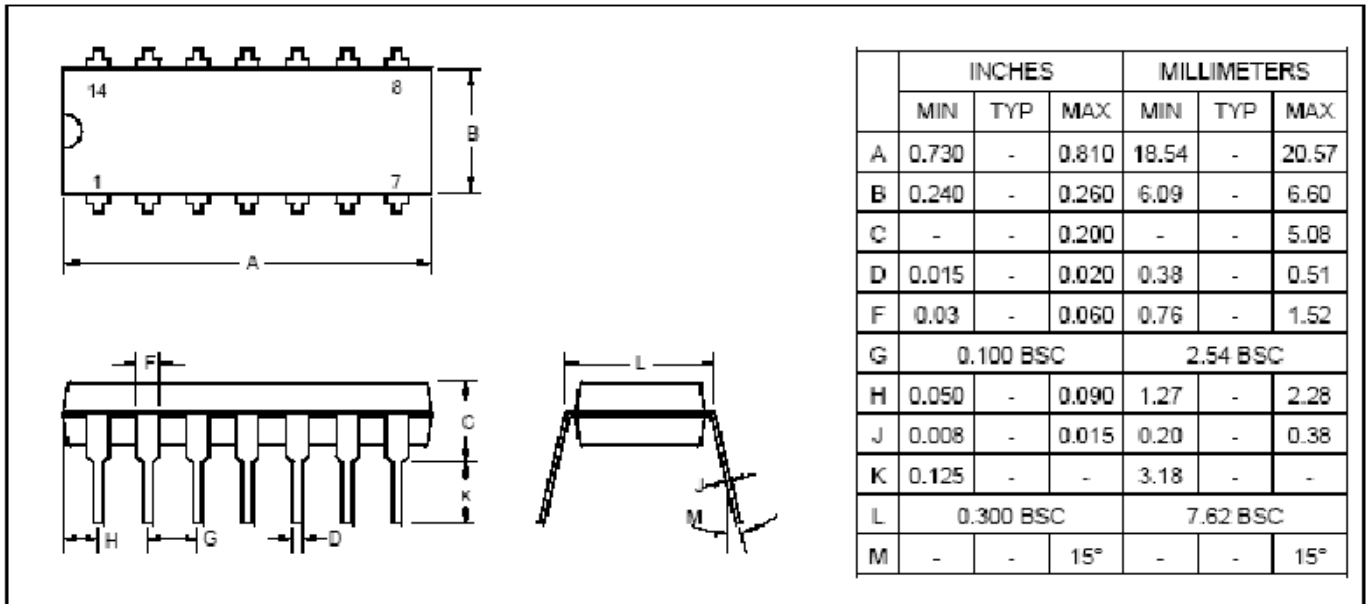
8-Pin Plastic SOP (150 mil)



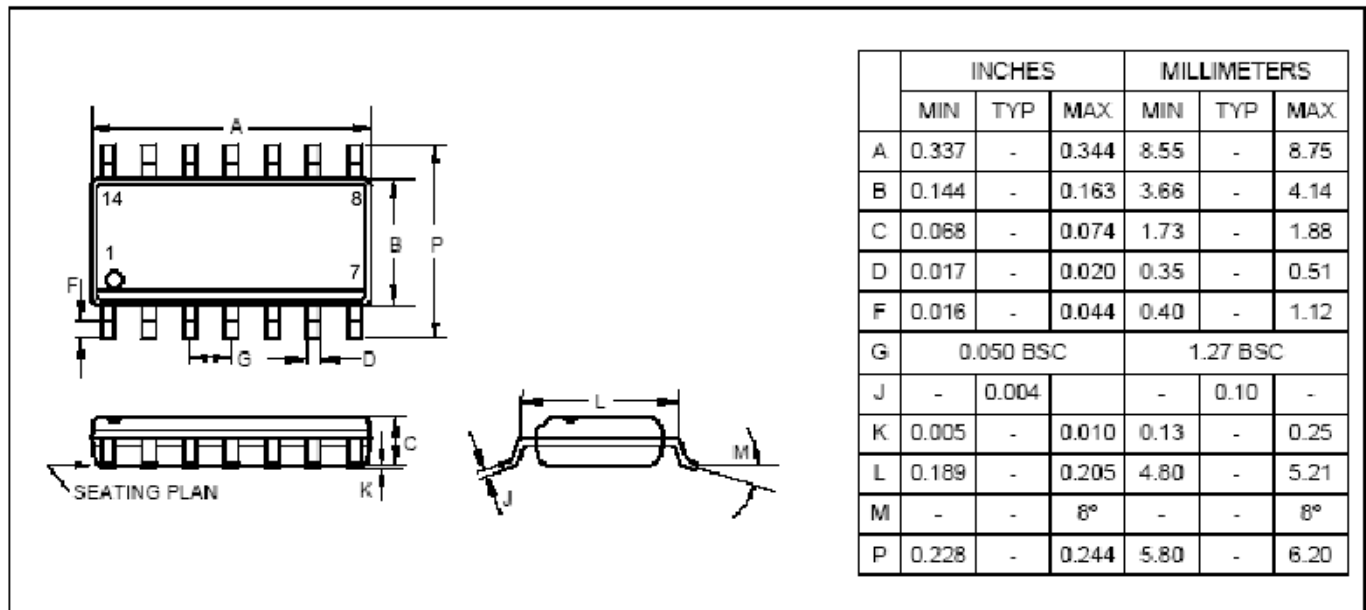
	INCHES			MILLIMETERS		
	MIN	TYP	MAX	MIN	TYP	MAX
A	0.183	-	0.202	4.65	-	5.13
B	0.144	-	0.163	3.66	-	4.14
C	0.068	-	0.074	1.35	-	1.88
D	0.010	-	0.020	0.25	-	0.51
F	0.015	-	0.035	0.38	-	0.89
G	0.050 BSC			1.27 BSC		
J	0.007	-	0.010	0.19	-	0.25
K	0.005	-	0.010	0.13	-	0.25
L	0.189	-	0.205	4.80	-	5.21
M	-	-	8°	-	-	8°
P	0.228	-	0.244	5.79	-	6.20

Note: for 8 pin S.O.I.C., 100 units per tube

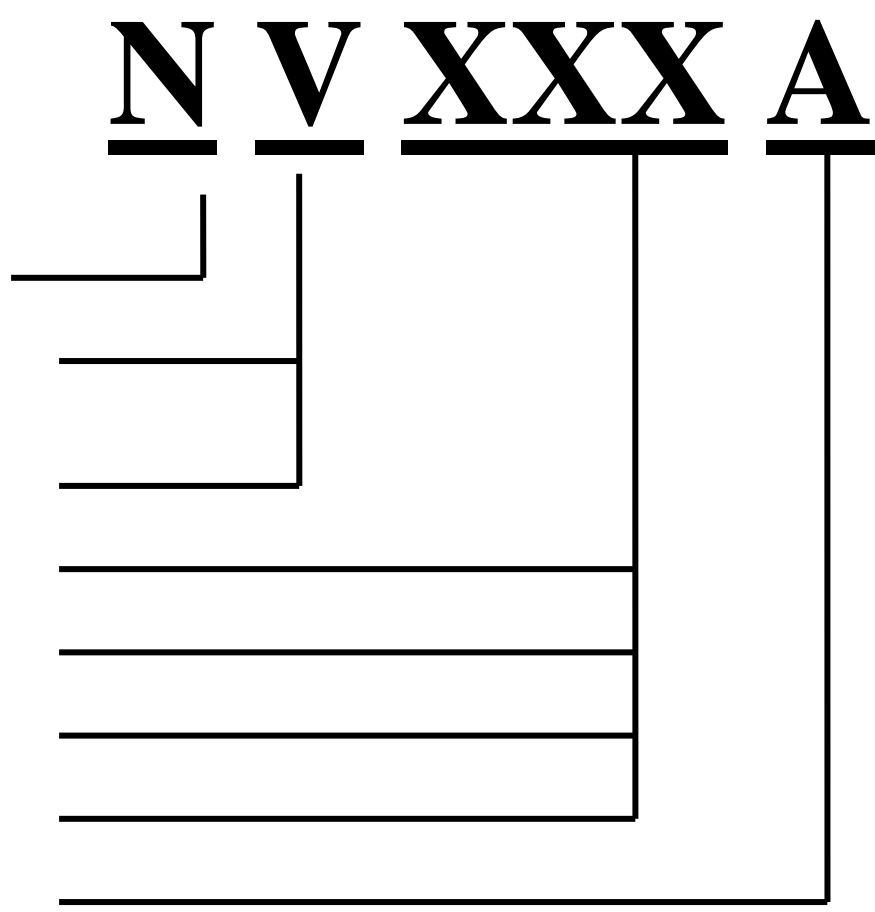
14-Pin Plastic DIP (300 mil)



14-Pin Plastic SOP (150 mil)



10



A

11



1

13423664648 020-22325636

020-22325635

n9c2000@126.com

QQ 980154908

www.vic18.com